

Automatic bag dump station



Minislit®

Minislit®

Patented system

Rate: 6 sacks/min.
Capacity: 15 to 50 kg/sacks
Manufacturing: mild steel, 304L stainless steel, 316L stainless steel

AUTOMATIC OPENING WITHOUT ANY ADJUSTMENT

Designed to open bulk sacks of pulverulent, the automatic dump bag station MINISLIT® is available with a band cutting system. Adapted to multiple applications, from aggregates to pharmaceutical products, the parts of the automatic sack opening system MINISLIT® can be cleaned manually or mechanically with the option "Cleaning In Place" providing a complete washing and drying system (30 minutes cycle with washing and drying).



TECHNICAL SPECIFICATIONS

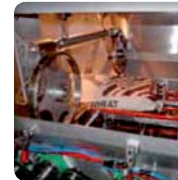
The cutting system produces a three sided cut on the sacks without tearing the material. The patented disc inversion system ensures a full discharge of the material. It is particularly suitable for food, chemical and paint industry.

Like all other PALAMATIC PROCESS automatic bag dump systems, its design facilitates cleaning and maintenance processes with minimal retention areas.

The mechanical driving and guiding parts are external which greatly limits the wear and offers the possibility to discharge materials having a high degree of abrasion.

ADVANTAGES

- Suitable for many types of bags : paper, polywoven, lined...
- Minimize the handling by the operator
- Increased productivity
- Reduced dust contamination
- Integrated dust collecting device (option) and sack compactor
- The band-saw cutting system is available with various options: carbon steel (high speed), stainless steel or diamond coated for applications with abrasive materials.



➤ The belt conveyor transports the bag directly to the band-saw cutting system



➤ Vacuum sack lifter and belt conveyor



➤ Screw compactor for evacuation of empty bags into a plastic sheath and reduction of dust emissions

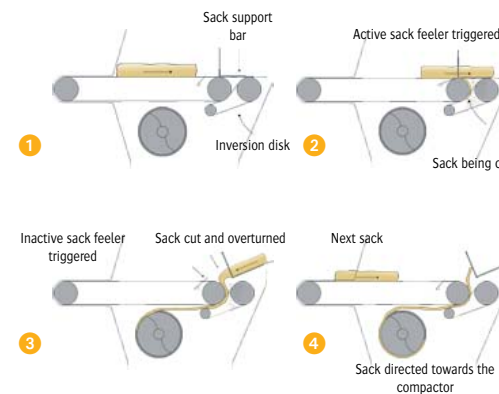


➤ External gearing

Advantages



OPERATING PRINCIPLE



MINISLIT® THROUGHPUT CAPACITIES

PRODUCTS	Sacks per minute
Peanuts	8
Coffee beans	6
PE / LDPE granules	8
Lentils	6-8
Animal feed pellets	5
Dicalite	6-8
Sugar	4-6
Tea	5
PVC powder	4-5
Carbon black	4-6
Soya flour	4-5
Cement	5-6
Starch	4
TiO2	4-5
Aluminium oxide	3-4
Caustic flake	3-4
Ammonium sulphate	3-4
Milk powder	5-6
Filter aid	4-5



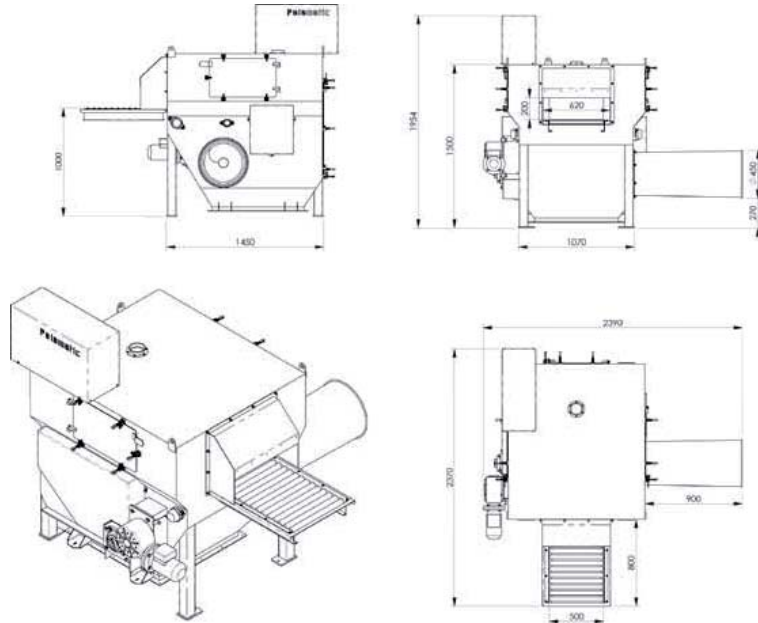
Automatic bag dump station

Minislit®

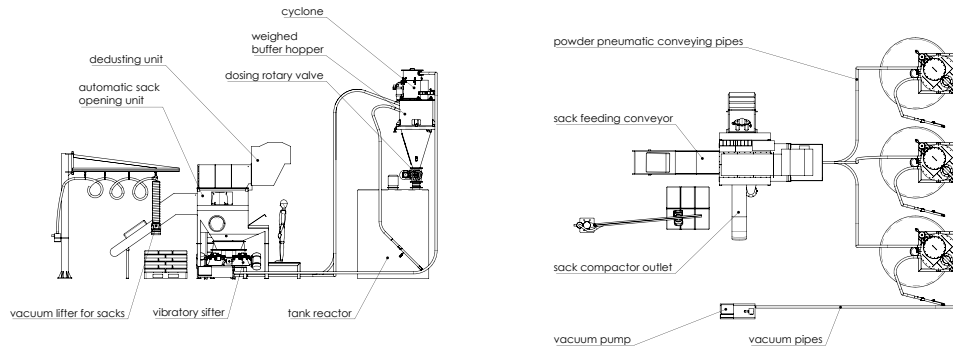
Patented system

Minislit®

▶ GENERAL LAYOUT



▶ EXAMPLE OF IMPLEMENTATION



▶ OPTIONS



Vibrating spout for dosing and homogeneous separation of your bulk materials.



Dust collector system to vacuum fine particles.



Inclined conveyor to feed the unloading station.



Vacuum lifter for sacks for effortless handling and improvement of the production



Integrated lump breaker enables the machine to handle powders with lumps. The blades ensure the passage of the lumps through a calibrated screen.



The MINISLIT® automatic bag dump system is part of our test center for easy testing of any type of bags.

These industrial-scale tests are a guarantee of results and success of your project.



▶ EXAMPLES OF INSTALLATIONS



▶ Application in the paint industry



▶ Application in the food industry



▶ Facility for seeds